



FAG

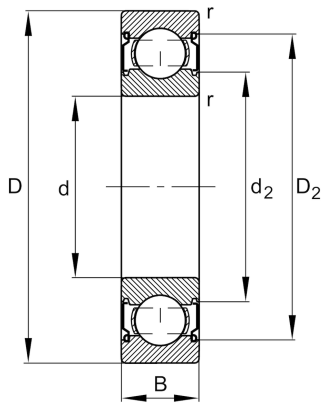
6002-C-2Z

Deep groove ball bearing

Schaeffler ID:
0957026520000

Deep groove ball bearing 60..-C-2Z, single row, Generation C, shields, steel sheet metal cage

Technical information

**Main Dimensions & Performance Data**

d	15 mm	Bore diameter
D	32 mm	Outside diameter
B	9 mm	Width
C_r	6.300 N	Basic dynamic load rating, radial
C_{0r}	2.850 N	Basic static load rating, radial
C_{ur}	191 N	Fatigue load limit, radial
n_G	31.500 1/min	Limiting speed
n_{gr}	23.200 1/min	Reference speed
	0,029 kg	Weight

Dimensions

r_{min}	0,3 mm	Minimum chamfer dimension
D_2	28,8 mm	Caliber diameter outer ring
d_2	19,2 mm	Caliber diameter inner ring

Mounting dimensions

$d_{a min}$	17 mm	Minimum diameter shaft shoulder
$D_{a max}$	30 mm	Maximum diameter of housing shoulder
$r_{a max}$	0,3 mm	Maximum fillet radius

Calculation factors

f_0	14	Calculation factor
-------	----	--------------------

Temperature range

T_{min}	-20 °C	Operating temperature min.
T_{max}	120 °C	Operating temperature max.

